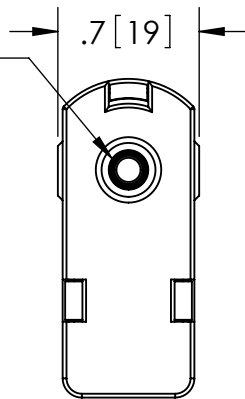
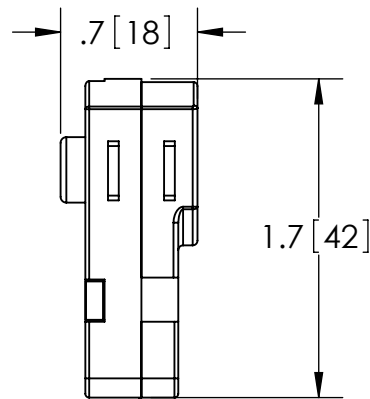


SILVER PLATED PUSH ON CONTACT



-AIR SIDE PLUG INCLUDED



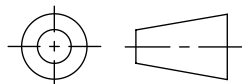
ACCEPTS 8 AWG WIRE FOR CRIMP

RATINGS	
VOTLAGE:	2.5 KV DC
CURRENT:	70 AMPS
PRESSURE:	1000 PSIG @ 20°C
TEMPERATURE WITHOUT PLUG:	-269°C TO 450°C
TEMPERATURE WITH PLUG:	-55°C TO 125°C

PROPRIETARY AND CONFIDENTIAL

THE INFORMATION CONTAINED IN THIS DRAWING IS THE SOLE PROPERTY OF SOLID SEALING TECHNOLOGY. ANY REPRODUCTION IN PART OR AS A WHOLE WITHOUT THE WRITTEN PERMISSION OF SOLID SEALING TECHNOLOGY IS PROHIBITED.

THIRD ANGLE PROJECTION



TITLE:

ONE PIN CONNECTOR

WWW.SOLIDSEALING.COM



SOLID SEALING TECHNOLOGY, INC.

SALES DWG NO. KT20684SL REV. A2

REV.	APP'D	DATE	SCALE 1:1	DIMENSIONS IN INCHES [mm]	DRAWN	JS	6/22/2009
A2	JS	11/26/2012	MSME0040-11		ENG APPR.	MH	07/01/2009

PART NO. KT20684 REV. A

DIMENSIONS ARE FOR REFERENCE ONLY. UNLESS NOTED, NO TOLERANCES ARE IMPLIED. CONSULT SST TO DISCUSS YOUR SPECIFIC REQUIREMENTS.