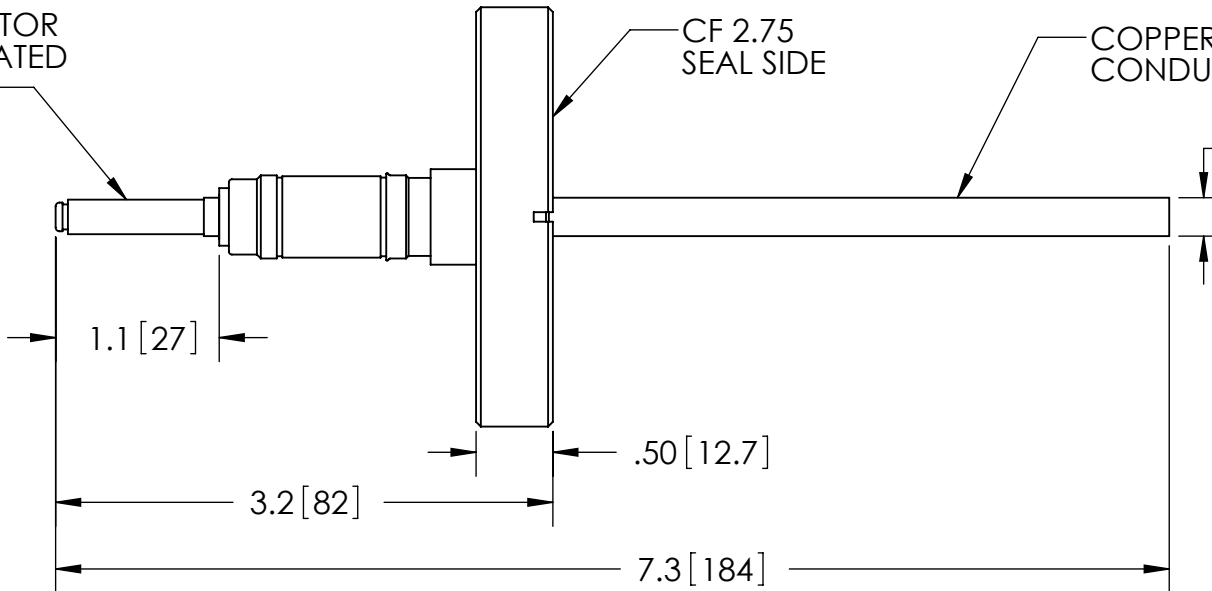


CONDUCTOR
SILVER PLATED
THIS END

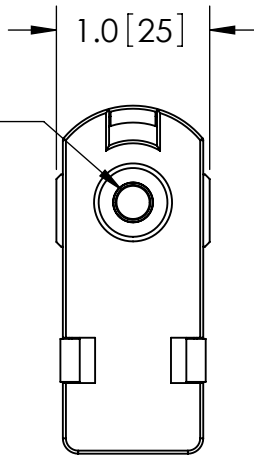
CF 2.75
SEAL SIDE

COPPER
CONDUCTOR

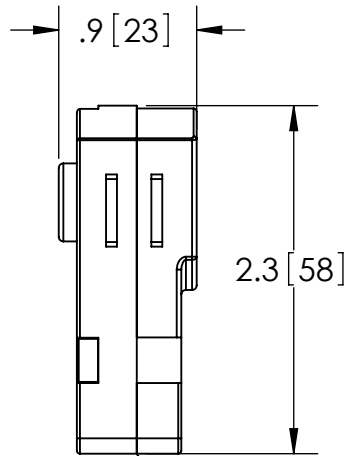
Ø .250 [6.35]



SILVER
PLATED
PUSH ON
CONTACT



-AIR SIDE PLUG INCLUDED



ACCEPTS
4 AWG WIRE
FOR CRIMP

RATINGS

VOLTAGE:	2.5 KV DC
CURRENT:	125 AMPS
PRESSURE:	750 PSIG @ 20°C
TEMPERATURE WITHOUT PLUG:	-269°C TO 450°C
TEMPERATURE WITH PLUG:	-55°C TO 125°C

WWW.SOLIDSEALING.COM



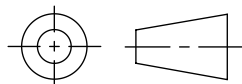
SOLID SEALING TECHNOLOGY, INC.

SALES DWG NO. KT20688SL REV. A2

PROPRIETARY AND CONFIDENTIAL

THE INFORMATION CONTAINED IN THIS DRAWING IS THE SOLE PROPERTY OF SOLID SEALING TECHNOLOGY. ANY REPRODUCTION IN PART OR AS A WHOLE WITHOUT THE WRITTEN PERMISSION OF SOLID SEALING TECHNOLOGY IS PROHIBITED.

THIRD ANGLE PROJECTION



TITLE:

ONE PIN CONNECTOR

PART NO. KT20688 REV. A

REV.	APP'D	DATE	SCALE 4:5	DIMENSIONS IN INCHES [mm]	DRAWN	JS	6/23/2009
A2	JS	11/26/2012	FTST0108-13		ENG APPR.	MH	07/01/2009