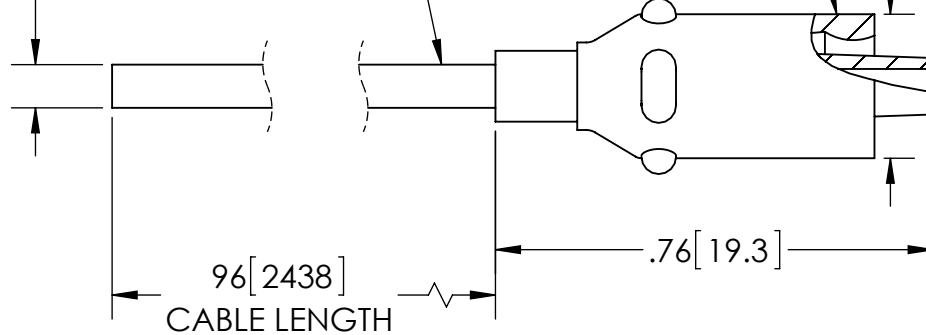


CABLE: 24 AWG  
SILVER PLATED COPPER WIRE  
WITH SILICONE  
COATED F.E.P. INSULATION  
COLOR: WHITE

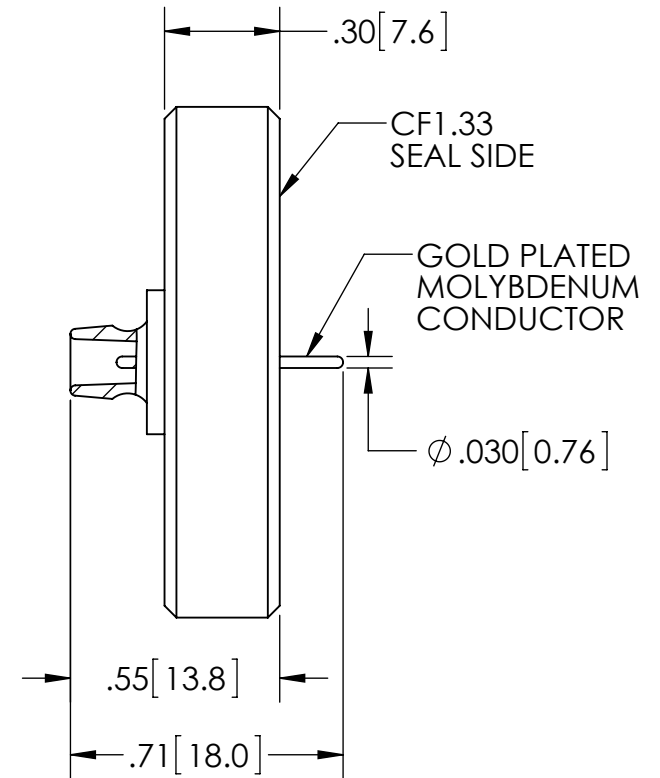
PLUG BODY: MOLDED  
SILICONE RUBBER

$\phi .08 [1.9]$

$\phi .25 [6.4]$



-AIR SIDE PLUG INCLUDED



RATINGS

VOLTAGE:	12 KV DC
CURRENT:	3 AMPS
PRESSURE:	1400 PSIG @ 20°C
TEMPERATURE WITHOUT PLUG:	-269°C TO 450°C
TEMPERATURE WITH PLUG:	-55°C TO 125°C

WWW.SOLIDSEALING.COM



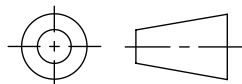
SOLID SEALING TECHNOLOGY, INC.

SALES DWG NO. KT21817SL REV. A1

PROPRIETARY AND CONFIDENTIAL

THE INFORMATION CONTAINED IN THIS DRAWING IS THE  
SOLE PROPERTY OF SOLID SEALING TECHNOLOGY. ANY  
REPRODUCTION IN PART OR AS A WHOLE WITHOUT THE WRITTEN  
PERMISSION OF SOLID SEALING TECHNOLOGY IS PROHIBITED.

THIRD ANGLE PROJECTION



TITLE:

12KV CONNECTOR

PART NO. KT21817 REV. A

REV.	APP'D	DATE	SCALE 2:1	DIMENSIONS IN INCHES [mm]	DRAWN	JS	12/11/2013
A1	JS	12/11/2013	FTMS0027-11		ENG APPR.	JS	12/11/2013

**DIMENSIONS ARE FOR REFERENCE ONLY. UNLESS NOTED, NO TOLERANCES ARE IMPLIED. CONSULT SST TO DISCUSS YOUR SPECIFIC REQUIREMENTS.**