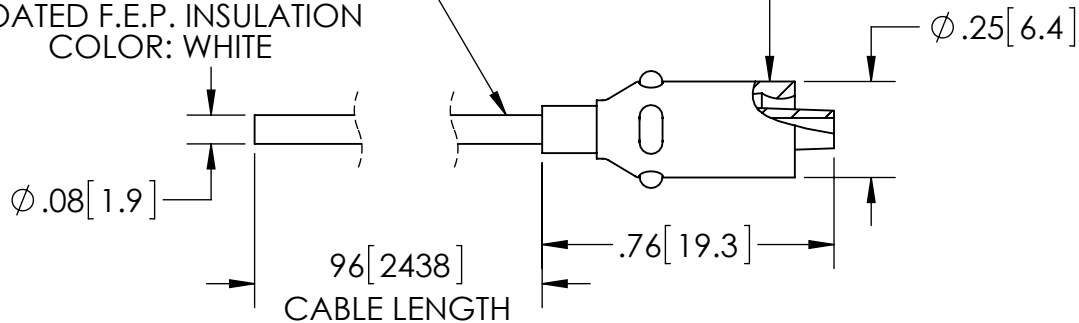


-AIR SIDE PLUG INCLUDED

CABLE: 24 AWG
SILVER PLATED COPPER WIRE
WITH SILICONE
COATED F.E.P. INSULATION
COLOR: WHITE

PLUG BODY: MOLDED
SILICONE RUBBER



SCALE 2:1

RATINGS	
VOLTAGE:	12 KV DC
CURRENT:	3 AMPS
PRESSURE:	1400 PSIG @ 20°C
TEMPERATURE WITHOUT PLUG:	-269°C TO 450°C
TEMPERATURE WITH PLUG:	-55°C TO 125°C

WWW.SOLIDSEALING.COM



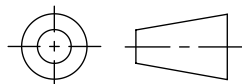
SOLID SEALING TECHNOLOGY, INC.

SALES DWG NO. KT21819SL REV. A1

PROPRIETARY AND CONFIDENTIAL

THE INFORMATION CONTAINED IN THIS DRAWING IS THE SOLE PROPERTY OF SOLID SEALING TECHNOLOGY. ANY REPRODUCTION IN PART OR AS A WHOLE WITHOUT THE WRITTEN PERMISSION OF SOLID SEALING TECHNOLOGY IS PROHIBITED.

THIRD ANGLE PROJECTION



TITLE:

THREE 12KV CONNECTORS

PART NO. KT21819 REV. A

REV.	APP'D	DATE	SCALE 1:1	DIMENSIONS IN INCHES [mm]	DRAWN	JS	12/12/2013
A1	JS	12/12/2013	MPMS0015-15		ENG APPR.	JS	12/12/2013

DIMENSIONS ARE FOR REFERENCE ONLY. UNLESS NOTED, NO TOLERANCES ARE IMPLIED. CONSULT SST TO DISCUSS YOUR SPECIFIC REQUIREMENTS.