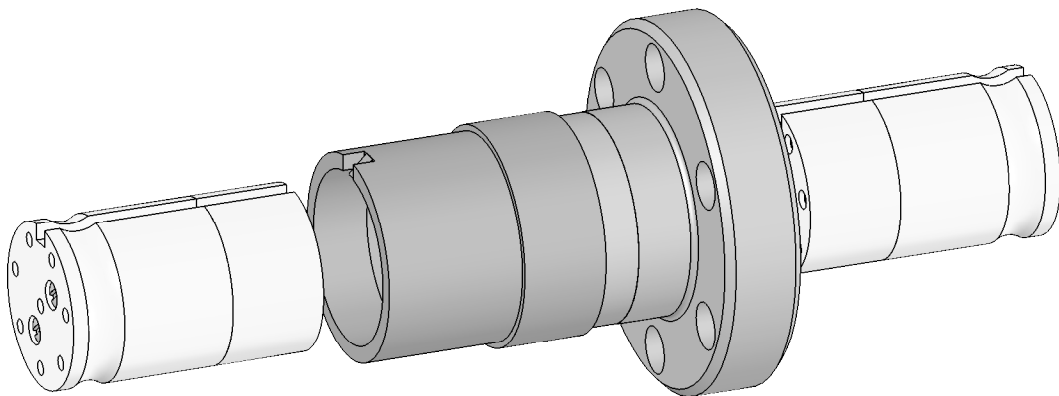


-PLUGS INCLUDED



PERFORMANCE SPECIFICATIONS	
CONDUCTOR MATERIAL:	MOLYBDENUM
VOLTAGE(DWV):	500V DC
CURRENT:	8.5 AMPS
PRESSURE:	500 PSIG @ 20C
TEMPERATURE WITHOUT PLUG:	-269 °C TO 450 °C
TEMPERATURE WITH PLUG:	-269 °C TO 200 °C

[WWW.SOLIDSEALING.COM](http://WWW.SOLIDSEALING.COM)



**SOLID SEALING TECHNOLOGY, INC.**

SALES DWG NO. KT25618SL REV. A1

PROPRIETARY AND CONFIDENTIAL

THE INFORMATION CONTAINED IN THIS DRAWING IS THE SOLE PROPERTY OF SOLID SEALING TECHNOLOGY. ANY REPRODUCTION IN PART OR AS A WHOLE WITHOUT THE WRITTEN PERMISSION OF SOLID SEALING TECHNOLOGY IS PROHIBITED.

THIRD ANGLE PROJECTION



TITLE:

OCTAL CONNECTOR IN 1.33CF

PART NO. KT25618 REV. A

REV.	APP'D	DATE	SCALE 3:2	DIMENSIONS IN INCHES [mm]	DRAWN	ET	05/25/2018
A1	JF	06/21/2018	MPDC0020-32A		ENG APPR.	JF	06/21/2018

**DIMENSIONS ARE FOR REFERENCE ONLY. UNLESS NOTED, NO TOLERANCES ARE IMPLIED. CONSULT SST TO DISCUSS YOUR SPECIFIC REQUIREMENTS.**