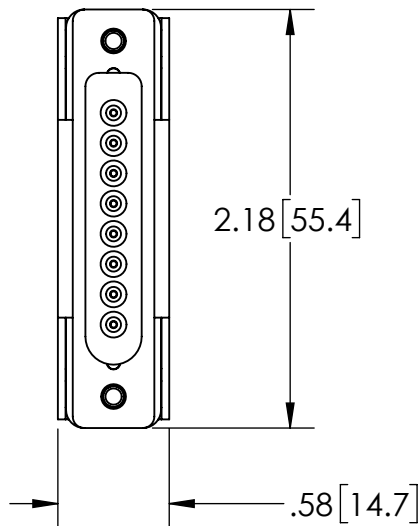


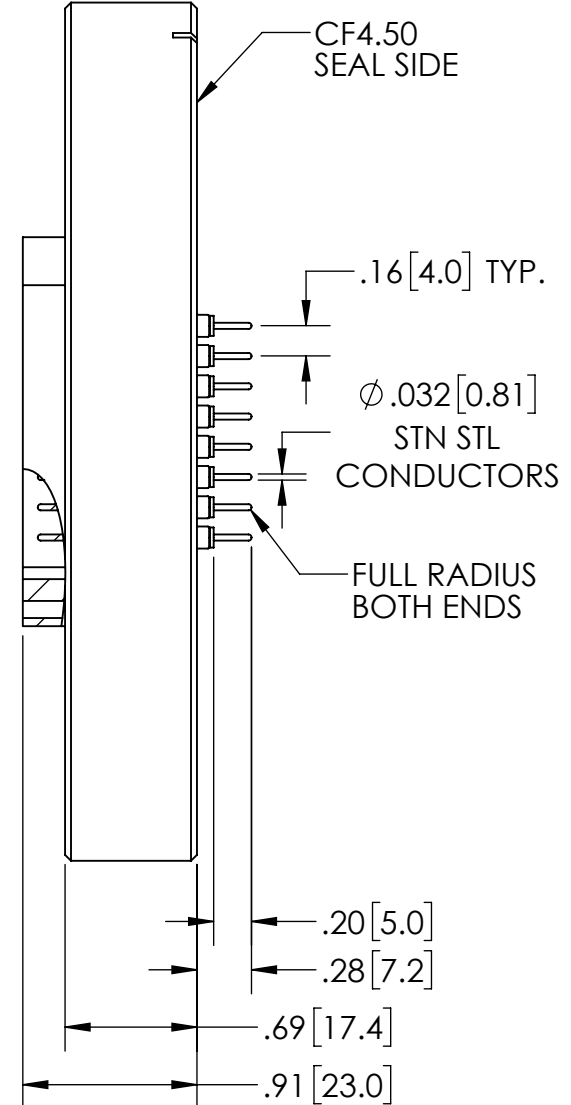
2.42 [61.6]
2.32 [59.0]

| | |
|----------|---------------|
| PART NO. | PLUG INCLUDED |
| KT35438 | YES |



2.18 [55.4]

.58 [14.7]



CF4.50
SEAL SIDE

.16 [4.0] TYP.

Ø.032 [0.81]
STN STL
CONDUCTORS

FULL RADIUS
BOTH ENDS

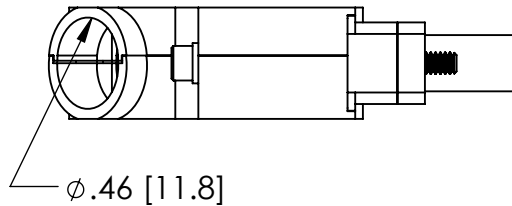
.20 [5.0]

.28 [7.2]

.69 [17.4]

.91 [23.0]

STRAIN RELIEF BUSHING
INCLUDED WITH PLUG
-STRAIN RELIEF ID
4mm, 5mm, 7mm,
9.8mm, 10.2mm



Ø.46 [11.8]

| PERFORMANCE SPECIFICATIONS | |
|----------------------------|-------------------|
| VOLTAGE: | 3 KV (WITH PLUG) |
| CURRENT: | 1.0 AMPS PER PIN |
| PRESSURE: | 1000 PSIG @ 20 °C |
| TEMPERATURE WITH OUT PLUG: | *-80 °C TO 450 °C |
| TEMPERATURE WITH PLUG: | -40 °C TO 105 °C |

*CALL SST TO CONFIRM LOWER TEMPERATURE USE

REFER TO INSTRUCTION SHEET "NS28193" FOR PLUG ASSEMBLY INSTRUCTIONS.

| | | | | | | | | | |
|--|-------|------------|-------------|----------------------------|-----------|--|------------|---|--|
| PROPRIETARY AND CONFIDENTIAL THE INFORMATION CONTAINED IN THIS DRAWING IS THE SOLE PROPERTY OF SOLID SEALING TECHNOLOGY. ANY REPRODUCTION IN PART OR AS A WHOLE WITHOUT THE WRITTEN PERMISSION OF SOLID SEALING TECHNOLOGY IS PROHIBITED. | | | | THIRD ANGLE PROJECTION | | TITLE 8 PIN CONNECTOR IN 4.50 CF | | | |
| REV. | APP'D | DATE | SCALE 1:1 | DIMENSIONS IN INCHES [mm] | DRAWN | ET | 05/25/2018 | PART NO. KT35438 REV. A WWW.SOLIDSEALING.COM | |
| A2 | JF | 06/10/2021 | MACF0033-11 | | ENG APPR. | JF | 06/21/2018 | | |

DIMENSIONS ARE FOR REFERENCE ONLY. UNLESS NOTED, NO TOLERANCES ARE IMPLIED. CONSULT SST TO DISCUSS YOUR SPECIFIC REQUIREMENTS.