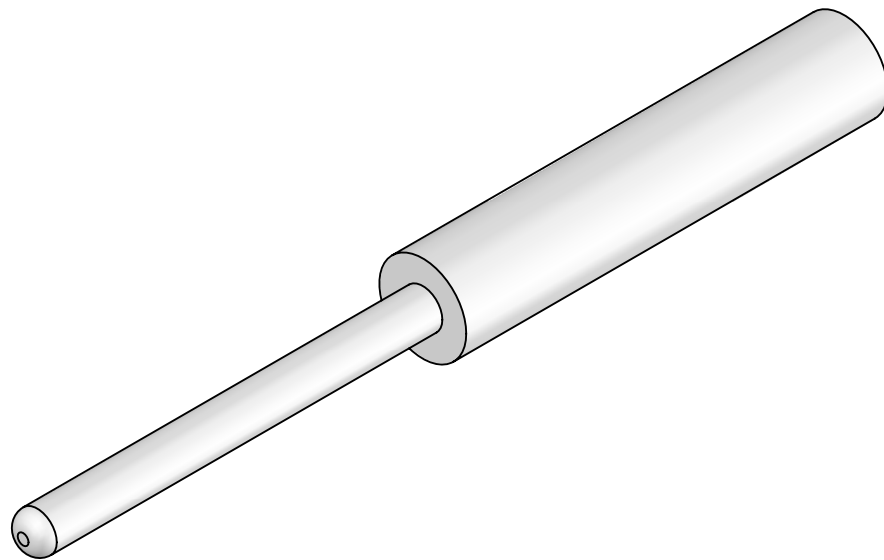
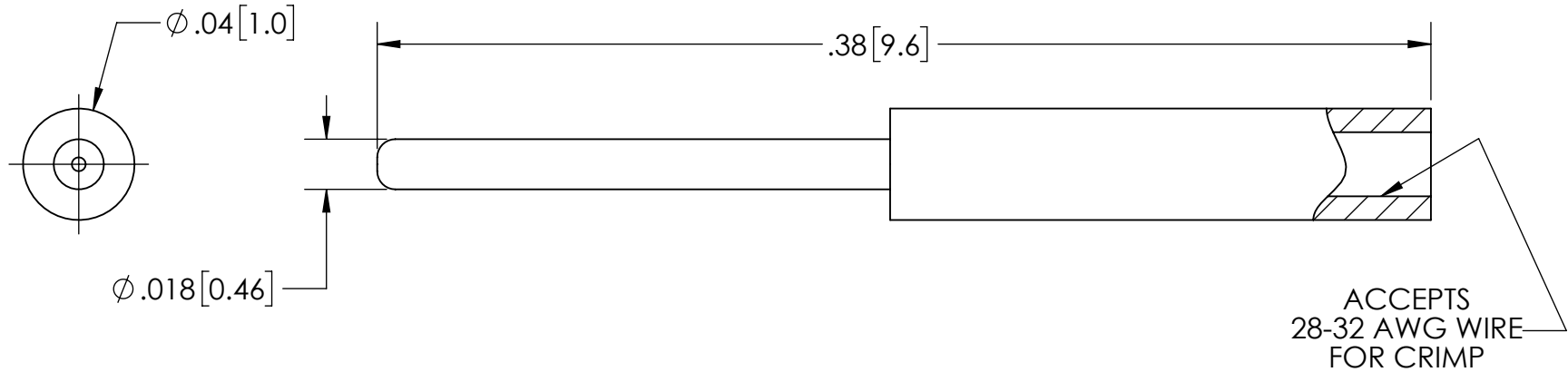


- CRIMP WITH FP41735 CRIMP TOOL AND FP41731 LOCATOR (SETTING 5).



PERFORMANCE SPECIFICATIONS	
MATERIAL:	BERYLLIUM COPPER, GOLD PLATED
CURRENT:	3 AMPS MAX
TEMPERATURE: (CONTINUOUS)	-55°C TO 125°C
TEMPERATURE: (SHORT TERM)	-55° TO 200°C

NOTE: PACKAGE OF 10 CONTACTS

PROPRIETARY AND CONFIDENTIAL THE INFORMATION CONTAINED IN THIS DRAWING IS THE SOLE PROPERTY OF SOLID SEALING TECHNOLOGY. ANY REPRODUCTION IN PART OR AS A WHOLE WITHOUT THE WRITTEN PERMISSION OF SOLID SEALING TECHNOLOGY IS PROHIBITED.				THIRD ANGLE PROJECTION 		TITLE <b>CRIMP CONTACT, 28-32 AWG</b>			
REV.	APP'D	DATE	SCALE 16:1	DIMENSIONS IN INCHES [mm]	DRAWN	JF	12/14/2020	PART NO. KT41663 REV. A WWW.SOLIDSEALING.COM	
A1	JF	3/18/2021	MSCTR003-11		ENG APPR.	JF	3/18/2021		

**DIMENSIONS ARE FOR REFERENCE ONLY. UNLESS NOTED, NO TOLERANCES ARE IMPLIED. CONSULT SST TO DISCUSS YOUR SPECIFIC REQUIREMENTS.**