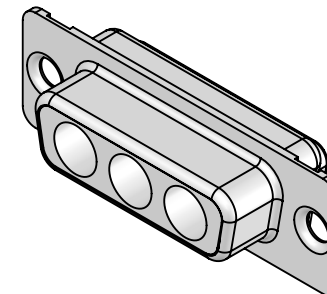
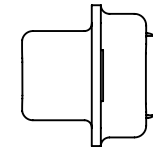
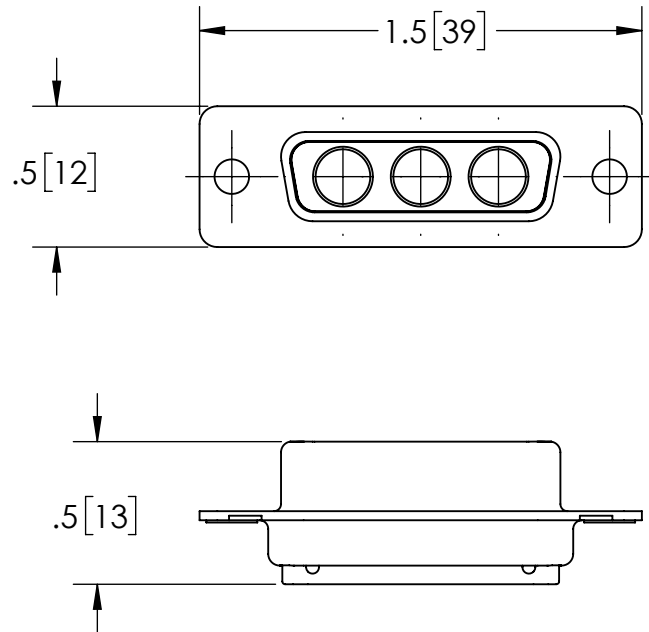


**SPECIFICATIONS**

RATED UL94V-0

STEEL SHELL W/ YELLOW CHROMATE PLATING

GLASS FILLED THERMOPLASTIC INSULATOR



**CRIMP CONTACTS SOLD SEPARATELY**

- 12 AWG (20 AMPS) P/N FP39118
- 16 AWG (10 AMP) P/N FP39118-02

PERFORMANCE SPECIFICATIONS	
VOLTAGE:	500V DC
TEMPERATURE:	-50°C TO 105°C

-ALSO AVAILABLE AIR SIDE BACKSHELL P/N FP16883

[WWW.SOLIDSEALING.COM](http://WWW.SOLIDSEALING.COM)



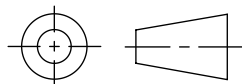
**SOLID SEALING TECHNOLOGY, INC.**

SALES DWG NO. FP39751SL REV. A1

PROPRIETARY AND CONFIDENTIAL

THE INFORMATION CONTAINED IN THIS DRAWING IS THE SOLE PROPERTY OF SOLID SEALING TECHNOLOGY. ANY REPRODUCTION IN PART OR AS A WHOLE WITHOUT THE WRITTEN PERMISSION OF SOLID SEALING TECHNOLOGY IS PROHIBITED.

THIRD ANGLE PROJECTION



TITLE:

3 PIN SUB D POWER AIR SIDE PLUG

PART NO. FP39751 REV. A

REV.	APP'D	DATE	SCALE 1.5:1	DIMENSIONS IN INCHES [mm]	DRAWN	MH	11/22/2019
A1	JF	11/25/2019	FP39751-11		ENG APPR.	JF	11/25/2019

**DIMENSIONS ARE FOR REFERENCE ONLY. UNLESS NOTED, NO TOLERANCES ARE IMPLIED. CONSULT SST TO DISCUSS YOUR SPECIFIC REQUIREMENTS.**