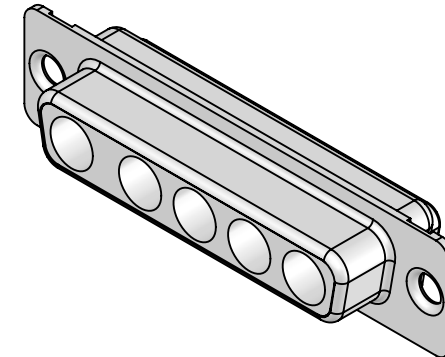
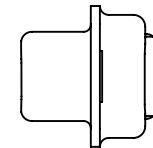
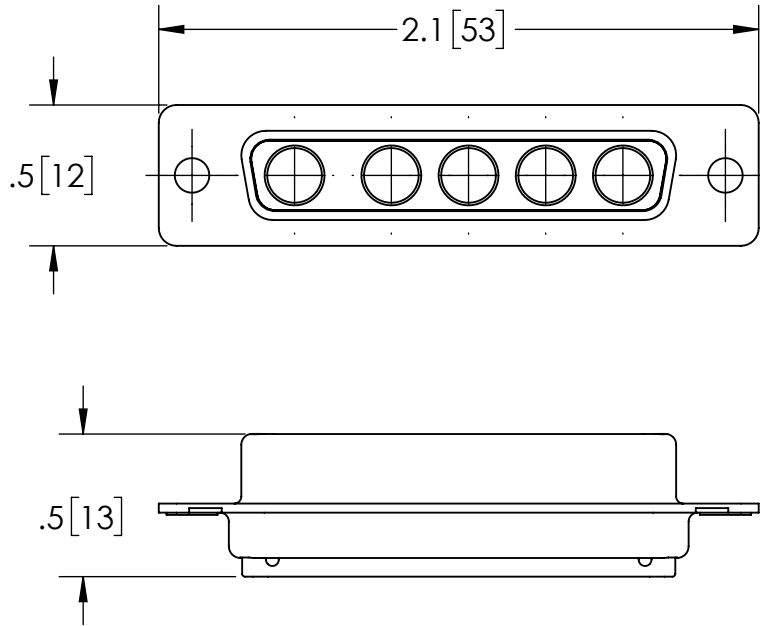


SPECIFICATIONS

RATED UL94V-0

STEEL SHELL W/ YELLOW CHROMATE PLATING

GLASS FILLED THERMOPLASTIC INSULATOR



CRIMP CONTACTS SOLD SEPARATELY

- 12 AWG (20 AMPS) P/N FP39118

- 16 AWG (10 AMP) P/N FP39118-02

PERFORMANCE SPECIFICATIONS	
VOLTAGE:	500V DC
TEMPERATURE:	-50°C TO 105°C

-ALSO AVAILABLE AIR SIDE BACKSHELL P/N FP16882

WWW.SOLIDSEALING.COM



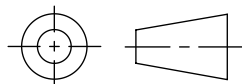
SOLID SEALING TECHNOLOGY, INC.

SALES DWG NO. FP39752SL REV. A1

PROPRIETARY AND CONFIDENTIAL

THE INFORMATION CONTAINED IN THIS DRAWING IS THE SOLE PROPERTY OF SOLID SEALING TECHNOLOGY. ANY REPRODUCTION IN PART OR AS A WHOLE WITHOUT THE WRITTEN PERMISSION OF SOLID SEALING TECHNOLOGY IS PROHIBITED.

THIRD ANGLE PROJECTION



TITLE:

5 PIN SUB D POWER AIR SIDE PLUG

PART NO. FP39752 REV. A

REV.	APP'D	DATE	SCALE 1.5:1	DIMENSIONS IN INCHES [mm]	DRAWN	MH	11/25/2019
A1	JF	11/26/2019	FP39752-11		ENG APPR.	JF	11/26/2019

DIMENSIONS ARE FOR REFERENCE ONLY. UNLESS NOTED, NO TOLERANCES ARE IMPLIED. CONSULT SST TO DISCUSS YOUR SPECIFIC REQUIREMENTS.