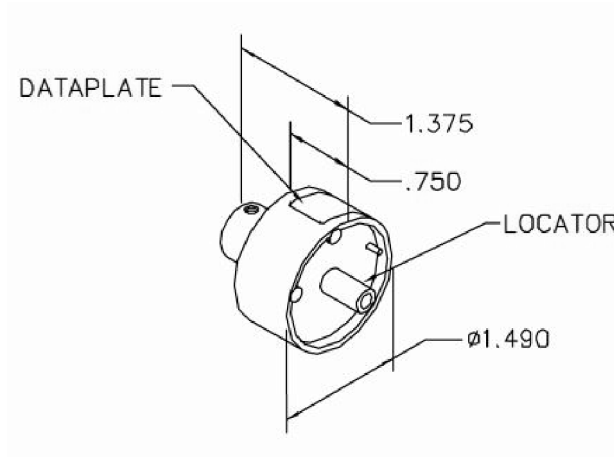


NOTES:  
 1- TO BE USED WITH CRIMP TOOL P/N FP39756.



[WWW.SOLIDSEALING.COM](http://WWW.SOLIDSEALING.COM)



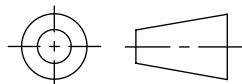
**SOLID SEALING TECHNOLOGY, INC.**

SALES DWG NO. FP39764SL REV. A1

PROPRIETARY AND CONFIDENTIAL

THE INFORMATION CONTAINED IN THIS DRAWING IS THE SOLE PROPERTY OF SOLID SEALING TECHNOLOGY. ANY REPRODUCTION IN PART OR AS A WHOLE WITHOUT THE WRITTEN PERMISSION OF SOLID SEALING TECHNOLOGY IS PROHIBITED.

THIRD ANGLE PROJECTION



TITLE:

CRIMP TOOL LOCATOR

PART NO. FP39764 REV. A

REV.	APP'D	DATE	SCALE 2:1	DIMENSIONS IN INCHES [mm]	DRAWN	JF	12/06/2019
A1	JF	12/06/2019	MPCL0625-13		ENG APPR.	JF	12/06/2019

**DIMENSIONS ARE FOR REFERENCE ONLY. UNLESS NOTED, NO TOLERANCES ARE IMPLIED. CONSULT SST TO DISCUSS YOUR SPECIFIC REQUIREMENTS.**