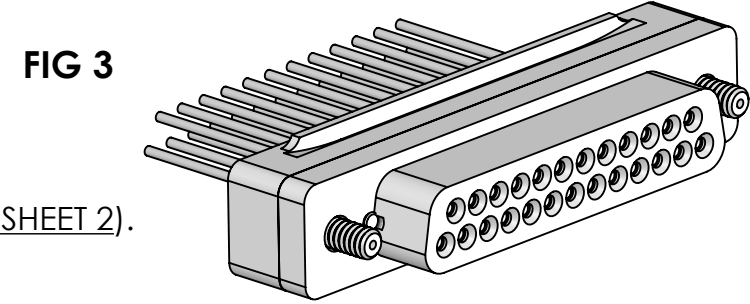
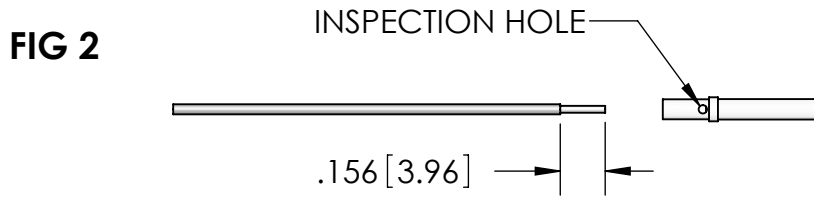
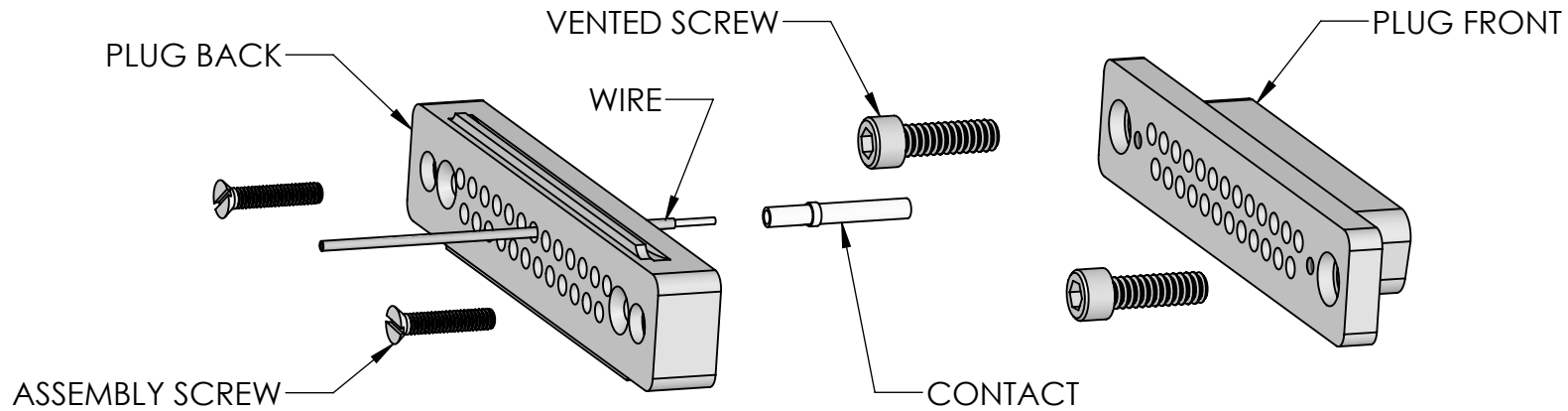


SUB D VACUUM SIDE PLUG TO WIRE ASSEMBLY



FEED WIRE THROUGH PLUG BACK (AND NUT IF HOOD IS INCLUDED SEE SHEET 2). STRIP END OF WIRE TO DIMENSION SHOWN. INSERT WIRE FULLY INTO CONTACT, WIRE SHOULD BE VISIBLE IN INSPECTION HOLE. CRIMP WIRE TO CONTACT USING CRIMP TOOL SST P/N FP13347. CENTER CRIMP BETWEEN END OF CONTACT AND INSPECTION HOLE.

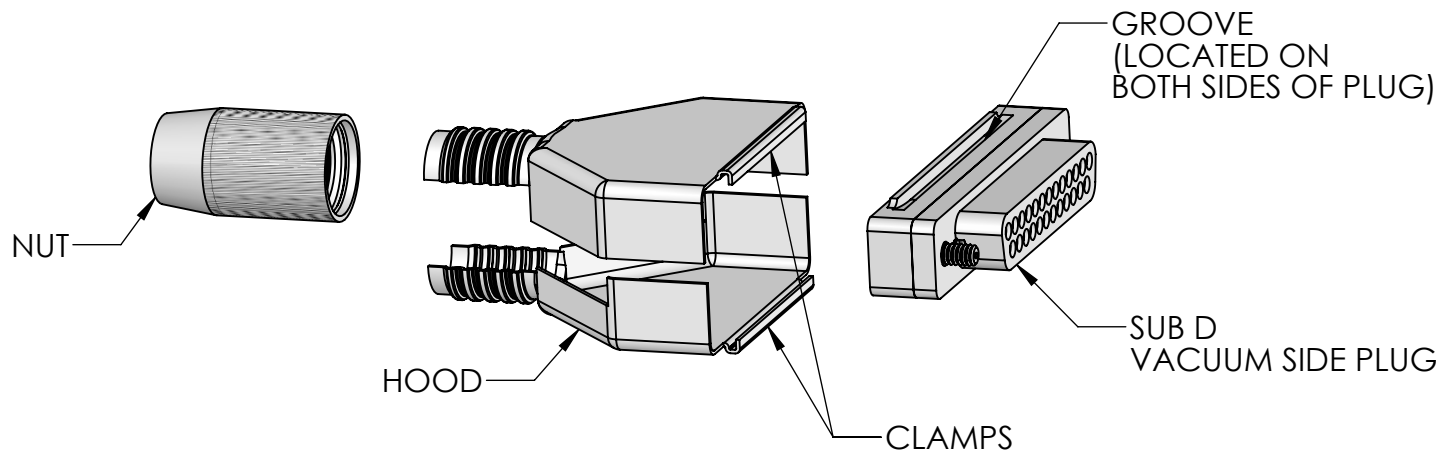
INSERT VENTED SCREWS INTO COUNTERBORES IN PLUG FRONT. THEN INSERT CONTACTS INTO PLUG FRONT HOLES. ALIGN PLUG BACK AND PLUG FRONT. INSERT ASSEMBLY SCREWS IN PLUG BACK AND TIGHTEN.

****FOR VACUUM PLUGS WITH BACKSHELL INCLUDED SEE SHEET 2 FOR ASSEMBLY INSTRUCTIONS**

SHEET 1 APPLIES TO:		
No. OF PINS	PLUG P/N	WIRE SIZE AWG
9	FA13603	20
15	FA13604	20
25	FA13605	20
26	FA37797	22
37	FA16705	20
50	FA13606	20
62	FA17947	22

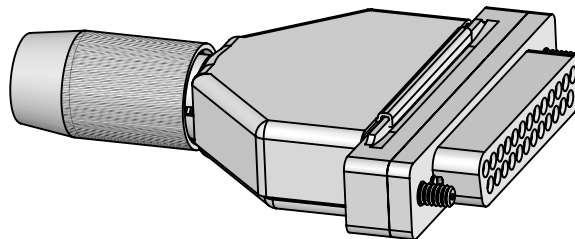
PROPRIETARY AND CONFIDENTIAL THE INFORMATION CONTAINED IN THIS DRAWING IS THE SOLE PROPERTY OF SOLID SEALING TECHNOLOGY. ANY REPRODUCTION IN PART OR AS A WHOLE WITHOUT THE WRITTEN PERMISSION OF SOLID SEALING TECHNOLOGY IS PROHIBITED.				THIRD ANGLE PROJECTION 		TITLE: INSTRUCTION SHEET SUB D VACUUM PLUG			
REV.	APP'D	DATE	SCALE 1.5:1	DIMENSIONS IN INCHES [mm]	DRAWN	JS	4/24/2009	NUMBER:	REV:
C	JF	05/08/2019	NS13605-13		ENG APPR.	MH	04/28/2009	NS13605	C
								SHEET 1 OF 2	

SUB D VACUUM SIDE PLUG WITH BACKSHELL ASSEMBLY



ASSEMBLY INSTRUCTIONS WITH BACKSHELL:

- 1- SLIDE WIRES THROUGH NUT BEFORE ASSEMBLING VACUUM PLUG. REFER TO INSTRUCTIONS ON SHEET 1 ON HOW TO ASSEMBLE VACUUM PLUG.
- 2- ATTACH CLAMPS ON HOOD TO GROOVES ON TOP AND BOTTOM OF PLUG. THEN SNAP HOOD TOGETHER.
- 3- TIGHTEN NUT OVER BACK OF HOOD.



(WIRES NOT SHOWN)

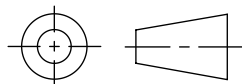
SHEET 2 APPLIES TO:

No. OF PINS	PLUG P/N	WIRE SIZE AWG
9	KT13603	20
15	KT13604	20
25	KT13605	20
26	KT37797	22
37	KT16705	20

PROPRIETARY AND CONFIDENTIAL

THE INFORMATION CONTAINED IN THIS DRAWING IS THE SOLE PROPERTY OF SOLID SEALING TECHNOLOGY. ANY REPRODUCTION IN PART OR AS A WHOLE WITHOUT THE WRITTEN PERMISSION OF SOLID SEALING TECHNOLOGY IS PROHIBITED.

THIRD ANGLE PROJECTION



TITLE: **INSTRUCTION SHEET
SUB D VACUUM PLUG**



REV.	APP'D	DATE	SCALE 1.5:1	DIMENSIONS IN INCHES [mm]	DRAWN	JS	4/24/2009
C	JF	05/08/2019	NS18774-12		ENG APPR.	MH	04/28/2009

NUMBER:	NS13605	REV:	C
---------	---------	------	---

SOLID SEALING TECHNOLOGY, INC.
SHEET 2 OF 2