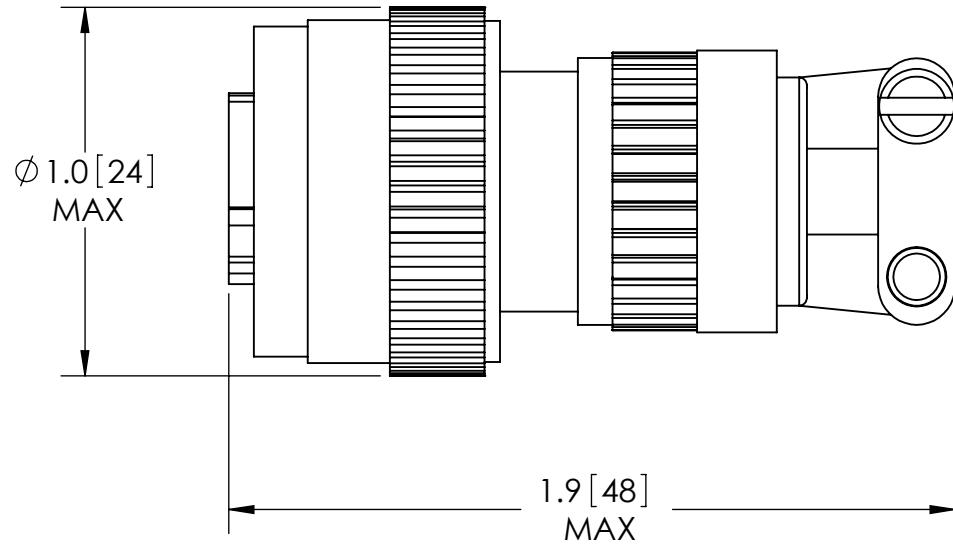
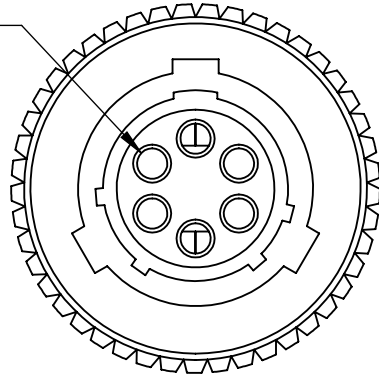


GOLD PLATED  
CRIMP CONTACTS

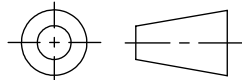


RATINGS	
VOLTAGE:	1KV DC
CURRENT:	5 AMPS
TEMPERATURE:	-55°C TO 200°C

PROPRIETARY AND CONFIDENTIAL

THE INFORMATION CONTAINED IN THIS DRAWING IS THE SOLE PROPERTY OF SOLID SEALING TECHNOLOGY. ANY REPRODUCTION IN PART OR AS A WHOLE WITHOUT THE WRITTEN PERMISSION OF SOLID SEALING TECHNOLOGY IS PROHIBITED.

THIRD ANGLE PROJECTION



TITLE:

6 PIN AIR SIDE PLUG

WWW.SOLIDSEALING.COM



SOLID SEALING TECHNOLOGY, INC.

REV.	APP'D	DATE	SCALE 2:1	DIMENSIONS IN INCHES [mm]	DRAWN	JS	5/14/2008
A2	JS	12/02/2010	MSMM0026-11		ENG APPR.	MH	07/08/2008

PART NO. KT18065 REV. A

SALES DWG NO. KT18065SL REV. A2

**DIMENSIONS ARE FOR REFERENCE ONLY. UNLESS NOTED, NO TOLERANCES ARE IMPLIED. CONSULT SST TO DISCUSS YOUR SPECIFIC REQUIREMENTS.**