

INSTALLATION WELDING OPTIONS:

- 1- E.B. OR LASER WELDING
- 2- PULSED TIG WELDING

MATING HARDWARE DIMENSIONS/ CONFIGURATION:

SEE SHEET 2 OF THIS INSTRUCTION SHEET.

MATING HARDWARE SHOULD BE 304/304L OR 316/316L STAINLESS STEEL
(304/340L ONLY FOR LASER).

PREFERRED ORIENTATION IS WITH THE WELD ON THE VACUUM SIDE.

PULSED TIG WELD PROCEDURE:

1- TYPICAL WELDER SETTINGS:

BACKGROUND CURRENT: FIXED AT 1/2 OF PEAK CURRENT
(eg. 10 AMPS BACKGROUND, 20 AMPS PEAK)

CURRENT SETTING: 20 TO 25 AMPS

PULSE FREQUENCY: 17.5 Hz

PULSE WIDTH FIXED AT 42%

2- USE A HEATSINK ON BOTH SIDES.

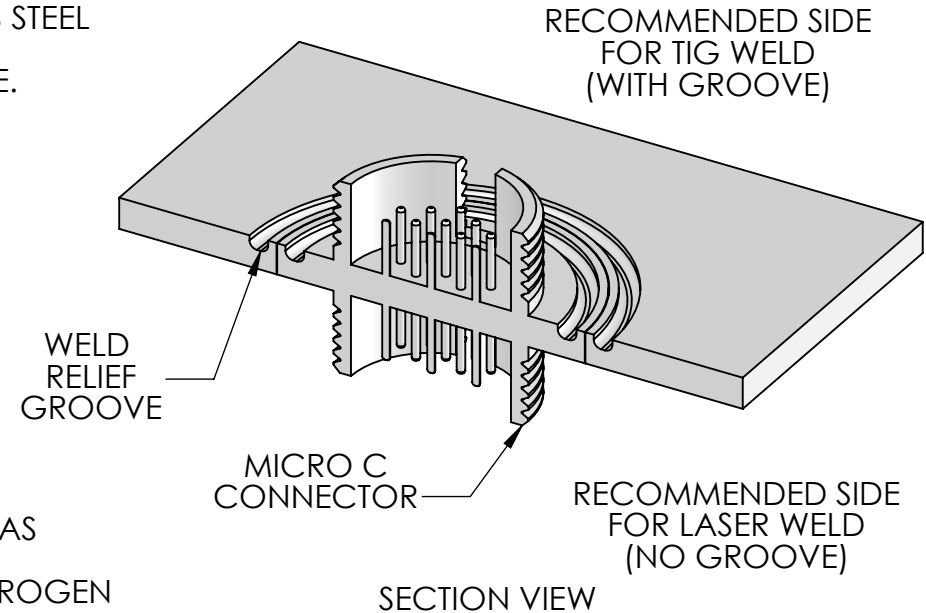
3- TACK WELD IN ACCORDANCE WITH THE TABLE BELOW.

4- TIG WELD BETWEEN THE TACK WELDS AT A SPEED SUFFICIENT TO COMPLETE THE SEGMENT IN A TIME OF 3 TO 4 SECONDS. DO NOT EXCEED 4 SECONDS.

5- OPPOSITE SIDE OF HEADER SHOULD BE FLOODED WITH INERT GAS FOR EXTRA COOLING AND TO MINIMIZE OXIDATION.

6- BETWEEN SEGMENTS, FLOOD THE WELD WITH INERT GAS OR NITROGEN GAS FOR 10 SEC MIN, FOR EXTRA COOLING.

MICRO C CONNECTORS WELDING INSTRUCTIONS



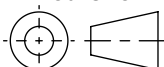
CONNECTOR # OF PINS:	7	19	55
DISTANCE BETWEEN TACK WELDS	1/2" - 5/8"	1/2" - 5/8"	1/2" - 5/8"
# OF WELDS	4	4	6

- SEE SHEET 2 FOR HOLE DIMENSIONS -

PROPRIETARY AND CONFIDENTIAL

THE INFORMATION CONTAINED IN THIS DRAWING IS THE
SOLE PROPERTY OF SOLID SEALING TECHNOLOGY. ANY
REPRODUCTION IN PART OR AS A WHOLE WITHOUT THE WRITTEN
PERMISSION OF SOLID SEALING TECHNOLOGY IS PROHIBITED.

THIRD ANGLE
PROJECTION



TITLE:

INSTRUCTION SHEET
MICRO CIRCULAR WELDING



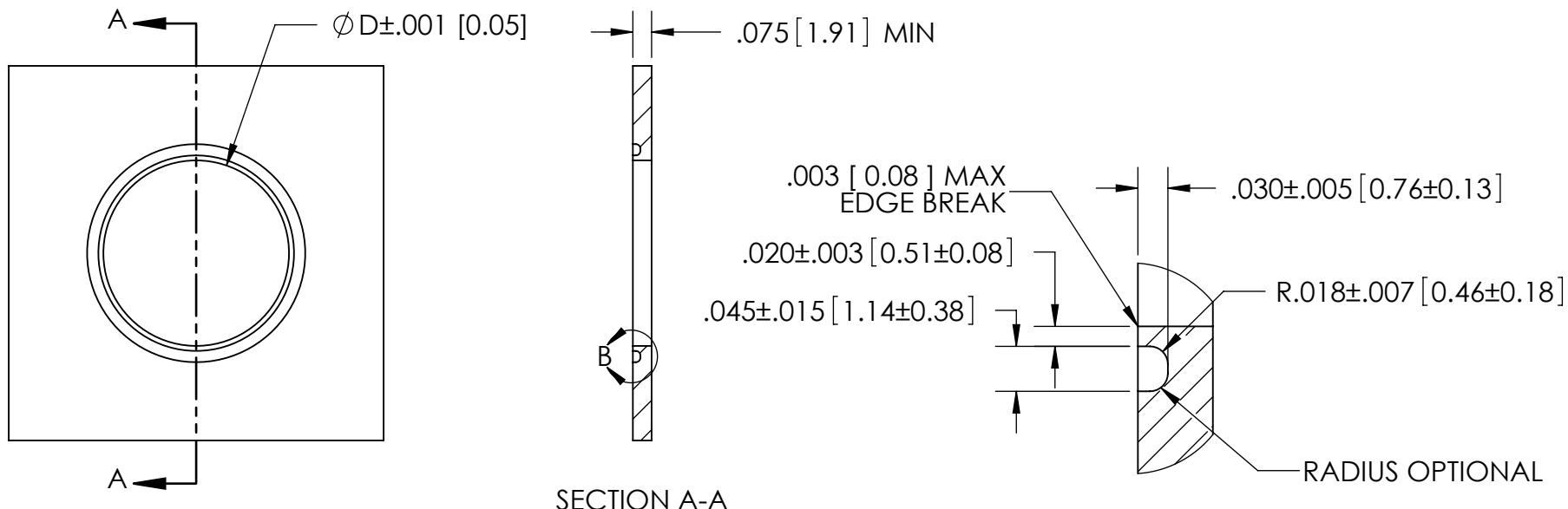
**SOLID SEALING
TECHNOLOGY**

REV.	APP'D	DATE	SCALE 2.5:1	DIMENSIONS IN INCHES [mm]	DRAWN	CW	7/16/2021	NUMBER:
C	JF	01/21/2022	NSASM003-11		ENG APPR.	JF	7/16/2021	NS41401

REV:

C

SHEET 1 OF 2



DETAIL B
SCALE 6 : 1

CONNECTOR PART NUMBER	CONNECTOR # OF PINS	ϕD
FA41283	7	.589 [14.96]
FA41401	19	.743 [18.87]
FA42250	55	.982 [24.94]

MICRO-C CONNECTORS RECOMMENDED HOLE & WELD PREP DIMENSIONS

DIMENSIONS & TOLERANCES REQUIRED
MAY DEPEND ON THE PROCESS AND
EQUIPMENT USED

- SEE SHEET 1 FOR TIG WELDING INSTRUCTIONS -

PROPRIETARY AND CONFIDENTIAL THE INFORMATION CONTAINED IN THIS DRAWING IS THE SOLE PROPERTY OF SOLID SEALING TECHNOLOGY. ANY REPRODUCTION IN PART OR AS A WHOLE WITHOUT THE WRITTEN PERMISSION OF SOLID SEALING TECHNOLOGY IS PROHIBITED.				THIRD ANGLE PROJECTION 		TITLE: INSTRUCTION SHEET MICRO CIRCULAR WELDING			
REV.	APP'D	DATE	SCALE 1.5:1	DIMENSIONS IN INCHES [mm]	DRAWN	CW	7/16/2021	NUMBER:	NS41401
C	JF	01/21/2022	NSPRT002-12		ENG APPR.	JF	7/16/2021	REV:	
								C	SHEET 2 OF 2