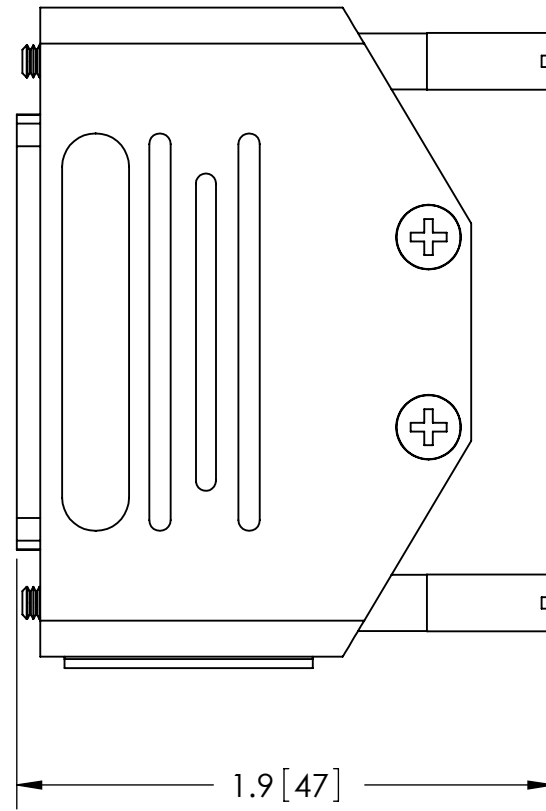
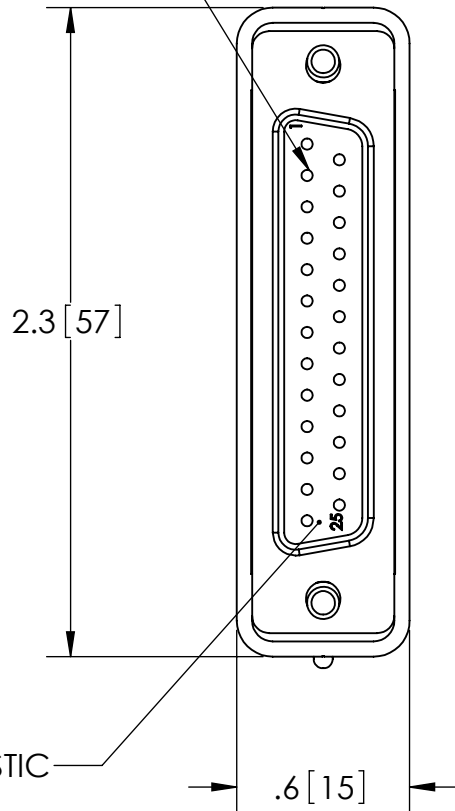


GOLD PLATED  
SOLDER CUP CONTACTS



GLASS FILLED  
THERMOPLASTIC

SPECIFICATIONS  
 RATED UL94V-0  
 STEEL SHELL W/ YELLOW CHROMATE PLATING  
 GLASS FILLED THERMOPLASTIC INSULATOR  
 BLACK PLASTICHOOD - HINGED W 4-40 THREADED THUMBSCREWS

RATINGS	
VOLTAGE:	500 V DC
CURRENT:	5 AMPS
TEMPERATURE:	-50°C TO 105°C

[WWW.SOLIDSEALING.COM](http://WWW.SOLIDSEALING.COM)



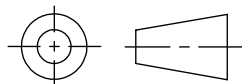
**SOLID SEALING TECHNOLOGY, INC.**

SALES DWG NO. KT14878SL REV. A1

PROPRIETARY AND CONFIDENTIAL

THE INFORMATION CONTAINED IN THIS DRAWING IS THE SOLE PROPERTY OF SOLID SEALING TECHNOLOGY. ANY REPRODUCTION IN PART OR AS A WHOLE WITHOUT THE WRITTEN PERMISSION OF SOLID SEALING TECHNOLOGY IS PROHIBITED.

THIRD ANGLE PROJECTION



TITLE:

25 PIN SUB D AIR SIDE PLUG

PART NO. KT14878 REV. A

REV.	APP'D	DATE	SCALE 1.5:1	DIMENSIONS IN INCHES [mm]	DRAWN	JS	8/7/2007
A1	MH	08/27/2007	KT14878-11		ENG APPR.	MH	08/27/2007

**DIMENSIONS ARE FOR REFERENCE ONLY. UNLESS NOTED, NO TOLERANCES ARE IMPLIED. CONSULT SST TO DISCUSS YOUR SPECIFIC REQUIREMENTS.**